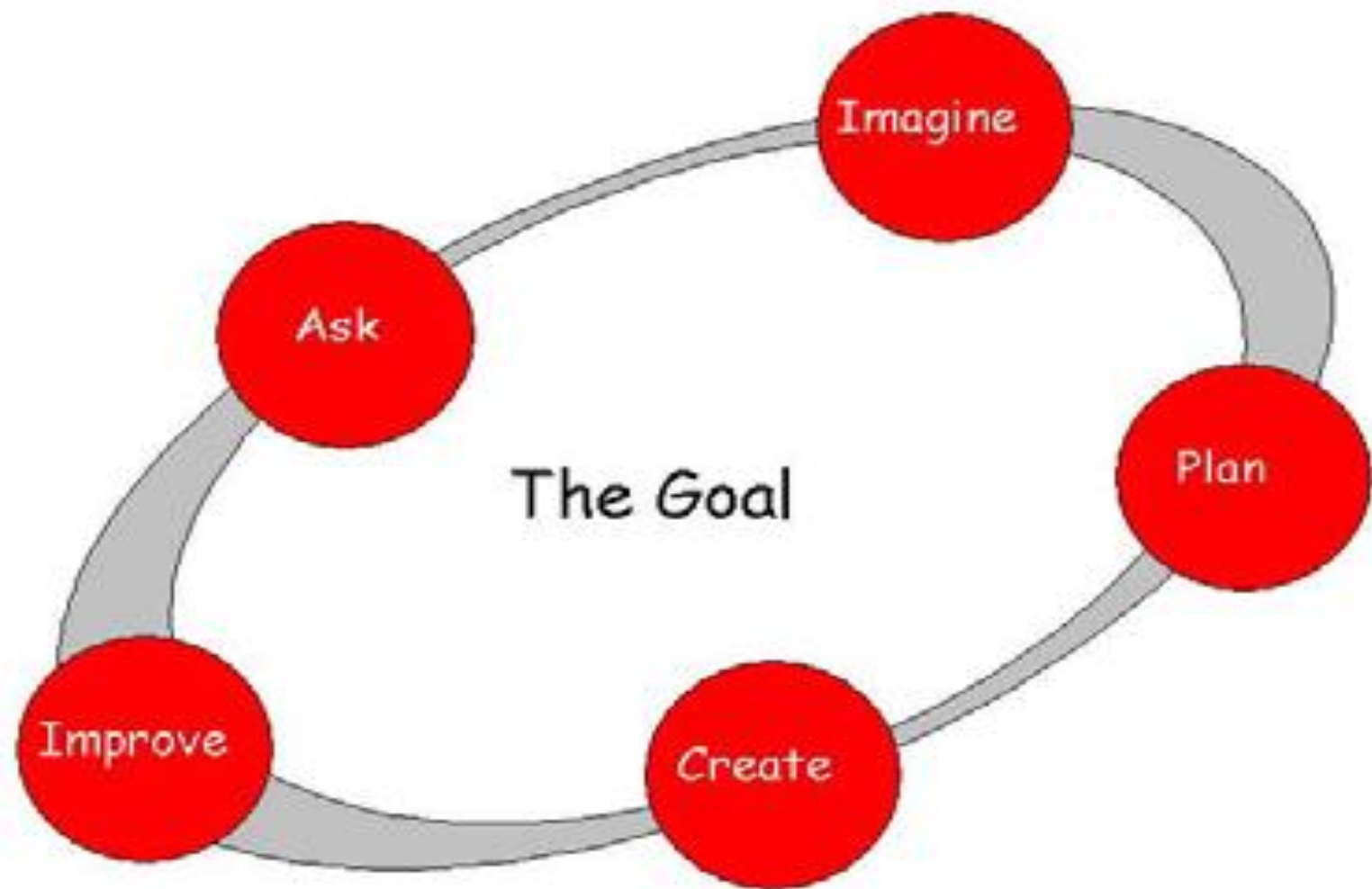


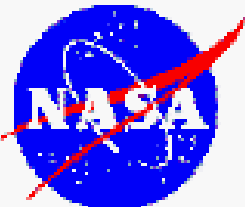
Paper Plane Engineering



Image used with permission from MOD and WISE

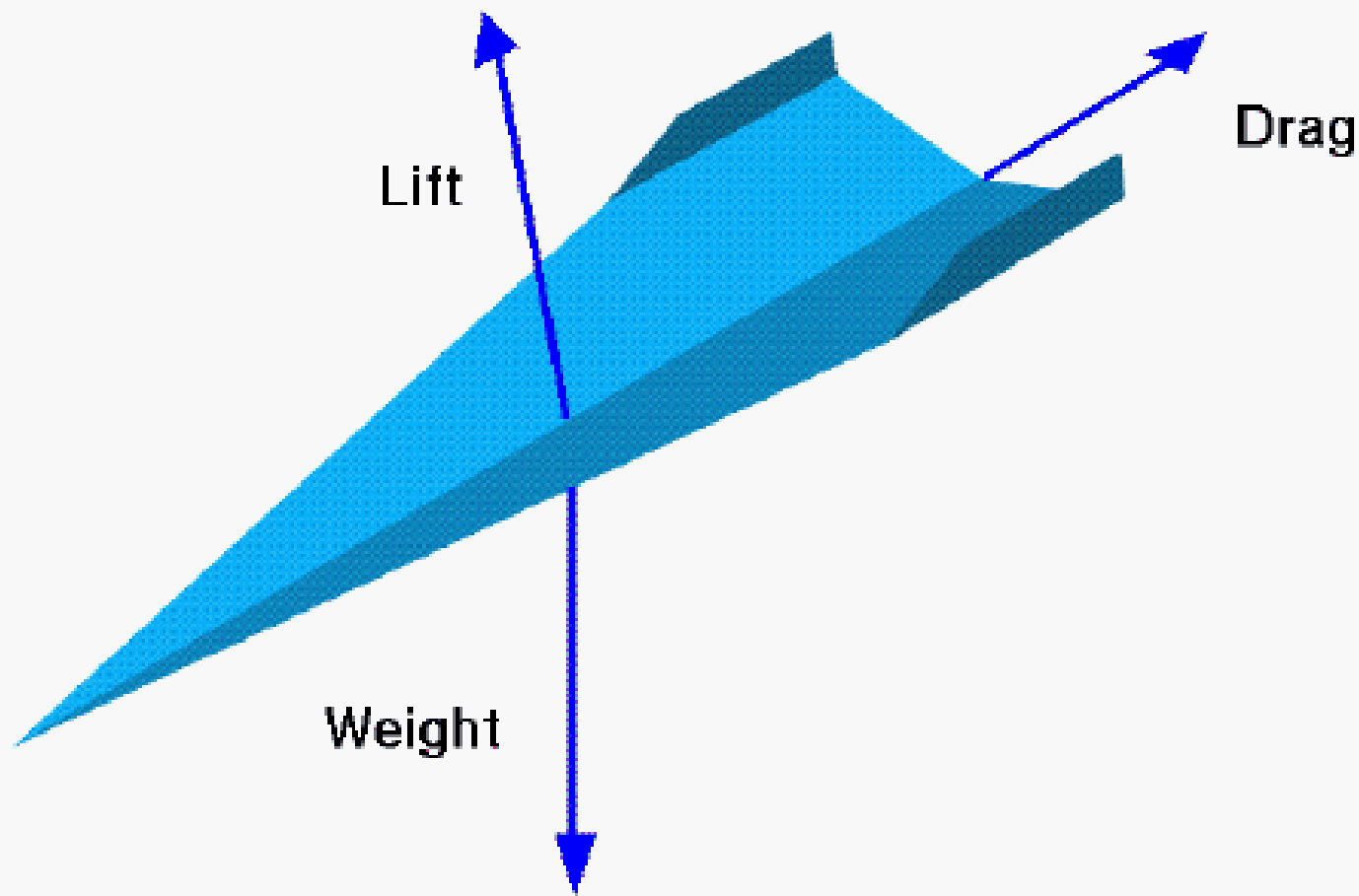
The Engineering Design Process





Three Forces on a Glider

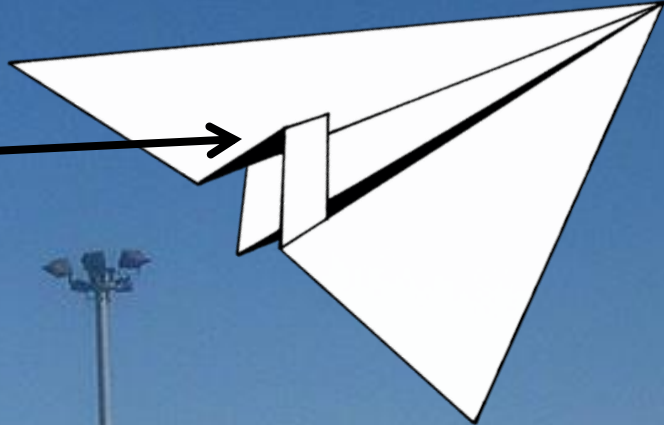
Glenn
Research
Center

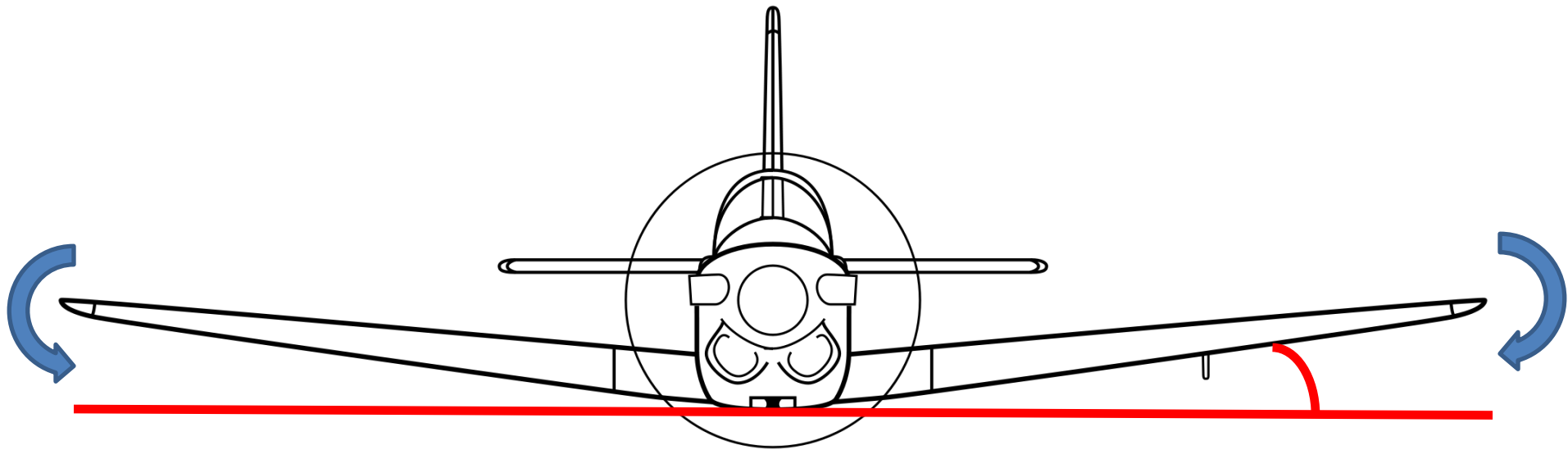


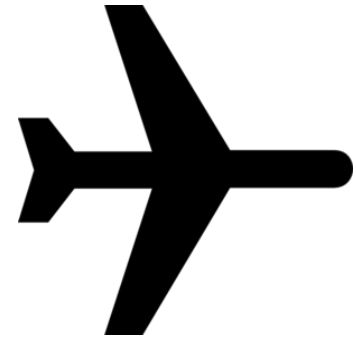
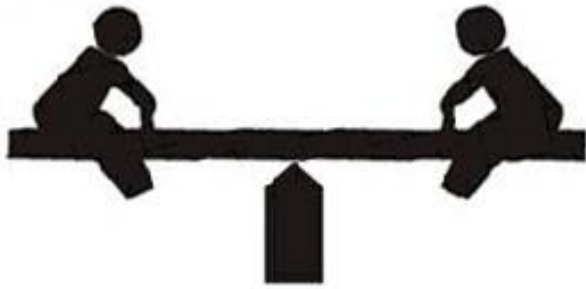
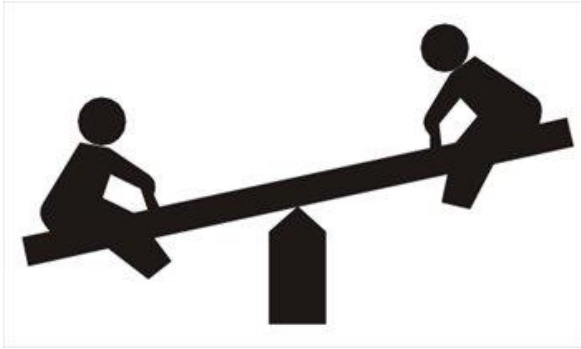


Elevator

Rudder







The Traditional

Flying Fish

Record Breaker

Hoop Flier

**Slides providing more info
for presenters/museums**

[The Traditional - link to video](#)

[Flying Fish - link to video](#)

[Record Breaker - link to video](#)

[Hoop Flier - link to video](#)

[Stunt plane - link to video](#)



Room layout – test area to both sides

Possible test area layout





Testing the planes together before the challenge